



## SERIES WVT | VERTICAL WATER METER



### FEATURES/BENEFITS

- Accurate flow measurement in vertical and horizontal orientations
- Polymeric materials prevent corrosion and chemical damage
- Pulse output for flow monitoring
- One-way valve prevents backflow into the meter

### APPLICATIONS

- Irrigation flow monitoring
- Water usage in manufactured equipment
- Residential water metering

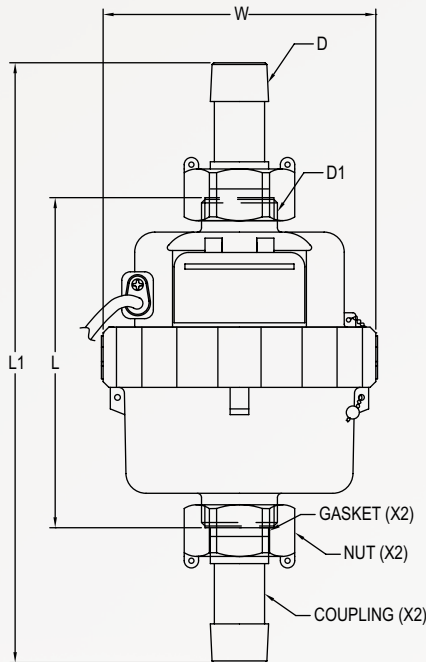
### DESCRIPTION

The **Series WVT Vertical Water Meter** is a series of rotary piston water meters that display total water usage. The piston displacement technology results in accurate and reliable operation in either horizontal or vertical mounting. Polymer and stainless steel construction provides high durability and environmental resistance at an economical price. The optional pulse output can be used for flow verification and totalization. Adapter couplings are included to convert BSPP threads on the meter to NPT.

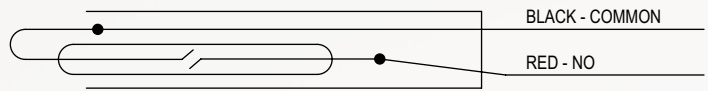
### SPECIFICATIONS

<b>Service</b>	Water.
<b>Wetted Materials</b>	ABS, POM, SS, Buna-N.
<b>Flow Range</b>	See model chart.
<b>Accuracy</b>	Nominal flow: $\pm 2\%$ ; Transitional flow: $\pm 5\%$ .
<b>Temperature Limit</b>	122°F (50°C).
<b>Pressure Limit</b>	150 psi (1034 kPa).
<b>Totalizing Display Maximum</b>	999,999.99 gallons.
<b>Output Signal</b>	Pulse output with frequency proportional to flowrate.
<b>Pulse Rate</b>	0.05 gal/pulse.
<b>Electrical Rating</b>	0.01 A @ 24 VAC/DC.
<b>Electrical Connections</b>	3.5mm <sup>2</sup> stranded color-coded lead wires, 5' (1.5 m) length.
<b>Mounting Orientation</b>	Horizontal or vertical.
<b>Weight</b>	See dimension chart.

## DIMENSIONS



## WIRING DIAGRAM

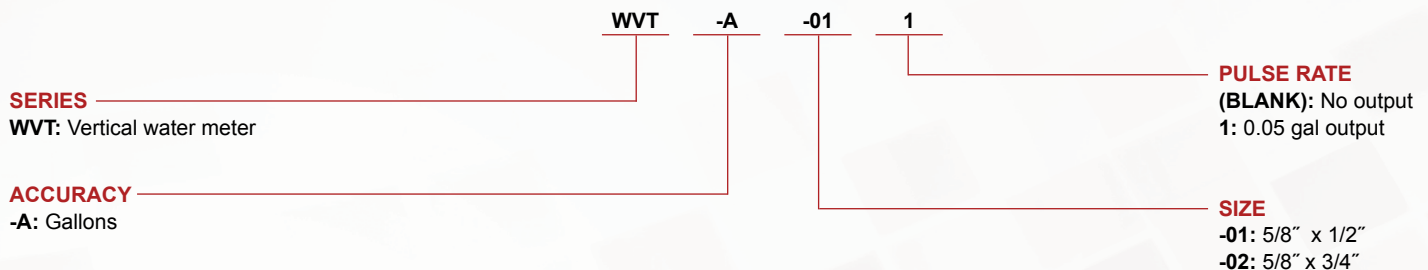


### DIMENSIONS CHART

Spud Size	Length "L" in (mm)	Length with NPT Coupling "L1" in (mm)	Width "W" In (mm)	Weight lb (kg)
G3/4	4.53 (115)	8.23 (209)	3.78 (96)	1.15 (0.52)
G1	6.50 (165)	10.16 (258)	4.17 (106)	1.34 (0.6)

## HOW TO ORDER

Use the **bold** characters from the chart below to construct a product code.



ORDER ONLINE TODAY!  
[dwyer-instruments.com/Product/SeriesWVT](https://www.dwyer-instruments.com/Product/SeriesWVT)



DWYER INSTRUMENTS, INC.

©Copyright 2020 Dwyer Instruments, Inc.  
 Printed in U.S.A. 7/20

DS-WVT

Important Notice: Dwyer Instruments, Inc. reserves the right to make changes to or discontinue any product or service identified in this publication without notice. Dwyer advises its customers to obtain the latest version of the relevant information to verify, before placing any orders, that the information being relied upon is current.